



nyloprint[®] Combination CW 22 x 30

Compact all-in-one letterpress plate making system
with exposure, washout and drying functions

Smallest of the equipment combinations, suitable for processing water washable printing plates
up to a maximum size of 220 x 300 mm (8.7" x 11.8")

Highly efficient and cost effective

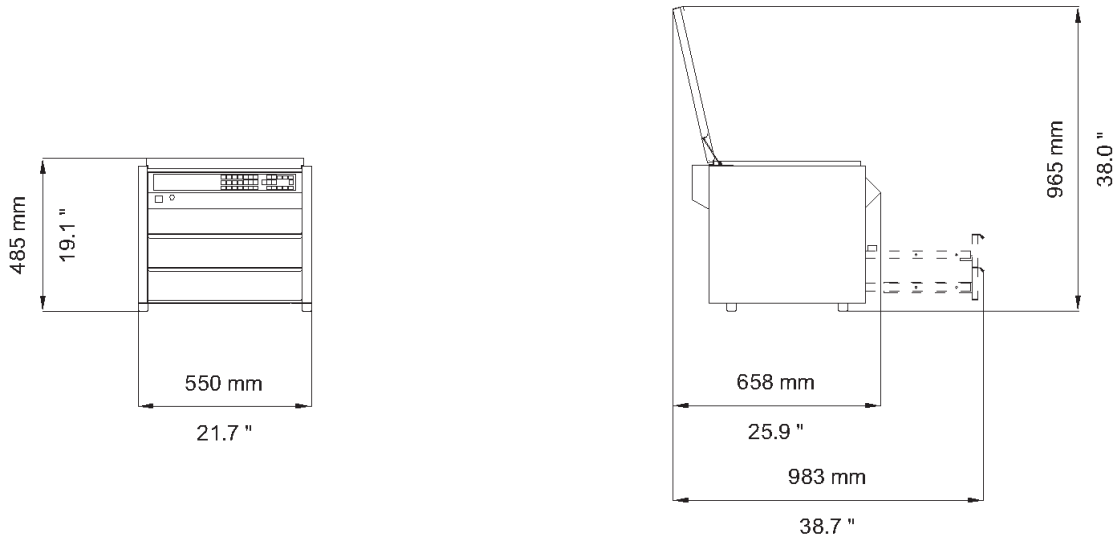
- Exposure, washout and drying functions for the production of quality water washable letterpress plates
- Long service life due to advanced materials – the casing of the equipment and all parts in contact with water are made of high quality stainless steel
- Process safety due to programmed plate processing parameters and temperature controlled washout section
- For washout only tap water is needed
- Less mechanical stress due to a proven plush washout system that prevents the washing away of fine elements
- Oscillating plate holder ensures even plate washout and is self adjusting to allow the use of different plate thicknesses
- Space saving design

Simple operating and convenient handling

- Programmable operating panel for customising the processing times of each function
- Audio alarm to signal end of each process
- Minimal maintenance

nyloprint® Combination CW 22 x 30

Equipment dimensions



Technical data	nyloprint® Combination CW 22 x 30
Maximum plate size (W x L)	220 mm x 300 mm (8.7" x 11.8")
Electrical connection	230 V, 50 Hz (1 Ph/N/PE) / 230 V, 60 Hz (1 Ph/N/PE)
Nominal current	9.5 A / 9.2 A
Nominal power	2.1 kW
Exposure tubes	8 pcs., TL 30 W 10R (UV-A)
Fresh water connection	R 3/8"
Waste water connection	Ø 25 mm (0.984")
Dryer	1 drawer, heating element 500 W
Weight (approx.)	68 kg (150 lbs) net 85 kg (187 lbs) gross
Crate dimensions (W x D x H)	800 x 620 x 675 mm (31.5" x 24.4" x 26.6")

You are welcome to contact us for further information.

Flint Group Flexographic Products
Sieglestrasse 25
70469 Stuttgart
Germany

T +49 711 9816-541
F +49 711 9816-801
info.flexo@flintgrp.com
www.flintgrp.com

All information in this document is based on our present knowledge and experience at the time of printing. Due to the multitude of factors influencing the processing and application of our products, it does not exempt the user from testing and calibrating. Nor does it imply any legally binding assurance concerning specific properties of the products or the suitability for a particular application. The responsibility of observing any possible industrial property rights, laws and regulations is the obligation of the user. Subject to technical changes without prior notice. Product names marked ® are registered trademarks of Flint Group.